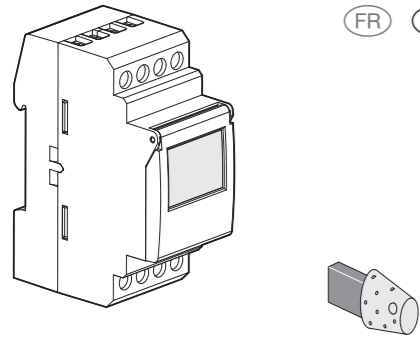


2 channels electronic time switch weekly cycle

User instructions

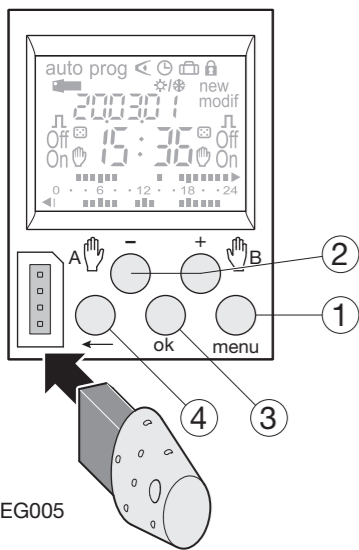
6LE002466A



EG203E

Major characteristics

- Product delivered with current time and date set.
Automatic change of winter / summer time */*.
Programming key [key symbol].
Programming for day or group of days.
56 program steps On, Off or impulses [symbol] (1 second to 30 minutes).



Keys:

- [key symbol] menu : selection of operating mode
auto : mode of running according to the program selected.
prog new for programming mode.
prog modif to modify an existing program.
[key symbol] : checking of the program.
[key symbol] : modification of time, date and selection of the winter / summer time change mode */*.
[key symbol] : holidays.

- [key symbol] and- : navigation or setting of values.
A [key symbol] in auto, mode, selection of overrides,
B [key symbol] waivers or random operation
[ok key symbol] : to validate flashing information on display.
[arrow key symbol] : to return to the previous step.

You may return into auto mode at any moment using menu.
If no action is taken for 1 minute, the switch returns into auto mode.

Resetting the program

The program can be totally deleted by pressing the following three keys simultaneously: menu, ok, arrow left, the time and date are retained.

Reboot

Pressing the -, +, ok, menu keys simultaneously reboots the product.

Correct Disposal of This product (Waste Electrical & Electronic Equipment).

(Applicable in the European Union and other European countries with separate collection systems).

This marking shown on the product or its literature indicates that it should not be disposed with other household waste at the end of its working life.

Technical specifications

Electrical characteristics

- Supply voltage: 230 V~ +10%/-15% 50/60Hz
240 V~ +/-6% 50/60Hz
Frequency: 50/60 Hz
Power consumption: max. 6 VA at 50 Hz
Output: 2 changeover volt free contacts
Maximum load: AC1: 16A 230 V~
Cos phi = 0,6: 10A 230 V~
Incandescent lighting: 2300 W
Halogen lighting 230 V~: 2300 W
Compensated fluorescent tubes // (max. 45 uF): 400 W
Non compensated fluorescent tubes, compensated in series: 1000 W
Compact fluorescent lamps: 500 W
Minimum current: AC1: 100 mA 230 V~
Galvanic insulation between power supply and output: < 4 kV
Rated impulse voltage: 4 kV
Upstream circuit breaker: 16 A
Size: 2 (17,5 mm x 2)
Max. altitude: < 2000m
Voltage and current declared for the needs of EMC emissions tests: 230 V~ / 0,5 A

Independent panel-mounted (DIN rail) control device

Functional characteristics

- Programming capacity: 56 steps
Minimum time between 2 steps: 1 minute
Running accuracy: +/- 1,5 sec / 24h
Operating reserve: lithium battery provides 5 years of backup.
The product is set into standby state (display switched-off) after 1 minute with power off. It switches back into auto mode as soon as power is back or when pressing any key.
Protection degree: IP 20

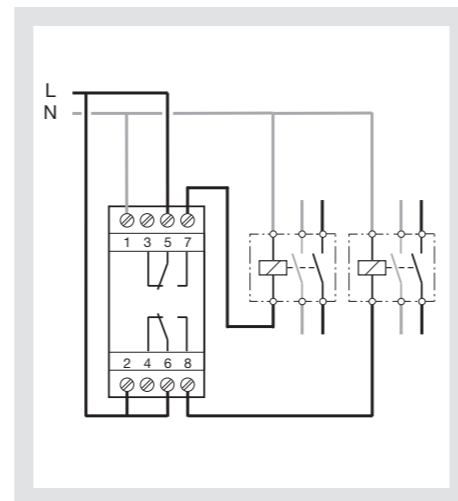
Environment

- Operating temperature: -5 C to +45 C
Storage temperature: -20 C to +70 C

Connection

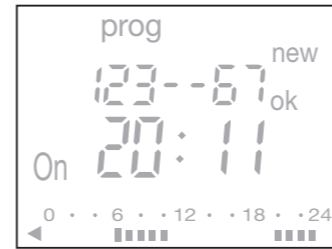
- Flexible capacity: 1 to 6 mm^2
Rigid capacity: 1,5 to 10 mm^2

Connection diagram



Programming: prog new

Programming may be done for each day or for a group of days. In this case instructions are common to several days.
Days: 1 = Monday, 2 = Tuesday, 3 = Wednesday...
7 = Sunday.



- 1. Select the prog mode using menu, then ok.
2. Select the channel (A or B) using + or -, then ok. The number of remaining program steps appears for a short time.
3. Choose the day(s) using + or -. Validate with ok.
4. ok flashes. Use ok to validate the group of days. - or left makes it possible to reset the group of days if necessary
5. Using + or -, select the state of the instruction: On, Off or [symbol]. Press ok to validate the state.
6. Enter the time of switch-on using + or -. Validate with ok.
7. Enter minutes with + or -. Validate with ok.
8. For On [symbol], set the duration (seconds, then minutes) in the same way as for the switch-on schedule.

Program the other instructions of the group of days by repeating operations 3 to 8. The day or the group of days may be modified at the during step 3 by pressing the +, - or left. At the end of programming return to auto mode using the menu button. To set the program of the other channel, return to prog new mode and proceed according to steps 2 to 8. In this mode it is also possible to add an instruction to the program set up. Proceed as described above.

Display

To check the daily profile set up without the risk of modification or deletion: Select the mode [key symbol] using menu and press ok. Select the channel (A or B) using + or - and ok. The first step of Monday is displayed as well as the daily profile.

Two options available for display :

- 1. Pressing repeatedly + or -: lets you shift days. In this case only the first daily step is displayed as well as the daily profile.
2. Pressing ok: all steps of each day appear one after the other.

Modification or clearing of a program step : prog modif

Select the prog mode with menu and press ok. Select the channel (A or B) using + or - and ok. Select the modif mode with + or -. Validate with ok.

The number of remaining program steps appears for a short time. The first step of the first day or group of days appears. Repeatedly pressing the ok key displays all programmed steps one at a time.

Any flashing field (state, hour, minutes) may be modified using + or -, then validated with ok. When the cursor is positioned on ok located behind the group of days, you may display successively the days or the groups of days and switch directly to the one that has to be modified using + or -. To remove a program step : select the state of the channel (One, Off or [symbol]), press simultaneously + and -. Clear appears on the screen. Validate with ok.

Key

As soon as the key appears on the switch appear on the screen.

Two types of operation:

A. Permanent override:

Insert the key into the switch. After 10 seconds the program contained in the key will be executed without clearing the program contained in the time switch. As soon as the key is removed the program of the time switch is again valid.

B. Copy (load) / Save (save):

- The key makes it possible to save a program contained in the time switch. It is also possible to copy the contents of the key into the clock.
1. Insert the key and wait for 2 seconds.
2. Using menu select the mode: save to save a program contained in the time switch, load to load the program of the key into the time switch, left to check the program contained in the key.
3. Validate the selection with ok.
4. For save and load reconfirm with ok.

The following error messages may appear on the screen:

no prog: the key is empty, it does not contain any program.
Error: the key is that of a one-channel switch.

In these two cases:

- Only the save save is possible.
The error message remains on display as long as the key is present, but in this case the program of the time switch is executed.

Setting time and day Winter / summer time change */*

Select the mode [key symbol] with menu then ok.

Modify the day, month, year, the hour and the minutes using + or - and ok.

The time switch next suggests the winter / summer time changes */*. Select the type of change desired using + or -. Validate with ok.

The type of change depends on the geographical zone

Types available :

Table with columns: Type, Start of time change Summer, Start of time change Winter, Zone of application. Rows include Euro*, USA, AUS, USER, and No.

* type according defect

The change always takes place between 2:00 and 3:00 a.m.

When the USER type is selected:

- 1. Enter the day then the month of the date of change of the summer time (+ 1hour) with + or - and ok.
2. Enter the day then the month of the date of change of the winter time (- 1hour) with + or - and ok.

The time switch will check which days of which weeks correspond to these dates and will apply changes to the same periods for the following years independently of the date.

Holidays

Allows you to override the output, On or Off for a given period. Once done, this override will be removed and will not be carried over to the following year.

Select the mode [key symbol] using menu then ok. With + or -, select the state of override: On or Off, ok to validate. Enter the day then the month of the starting period (date 1) using + or - then ok. Enter in the same way the day and the month of the ending period (date 2).

In auto mode, [key symbol] flashes to indicate that a period of holidays was programmed. [key symbol] becomes permanent during the period. The override will be effective at 0:00 of the 1st date until 23:59 from the 2nd date.

If date 1 is set before the day of programming, the period of holidays is valid for the following year.

To clear a period of holidays return to the mode, press simultaneously the + and - keys. Clear appears. Confirm with ok.

Override - Random operation

Pressing repeatedly [key symbol]

- If the state of the output is On:
1st press: temporary waiver. Off and [key symbol] flash. The next program step will let you return to the automatic mode.
2nd press: permanent override. On and [key symbol] are permanent. This override must be cancelled manually.
3rd press: permanent override. Off and [key symbol] are permanent. This override must be cancelled manually.
4th press: random operation. Simulation of presence, [key symbol] as well as the state of the output are displayed. Must be cancelled manually. In this case the steps of the program are shifted randomly within a range of +/- 59 min.
5th pressure: return to the automatic mode.

Locking

To prevent all undesirable actions, the keyboard of the time switch may be locked using a key EG004.

Unlocking is done in the same way.

Usable in all Europe and in Switzerland

This device must be installed only by a qualified electrician according to the installation standards in force in the country.

Warranty NOT APPLICABLE FOR AUSTRALIA

A warranty period of 24 months is offered on hager products, from date of manufacture, relating to any material of manufacturing defect. If any product is found to be defective it must be returned via the installer and supplier (wholesaler). The warranty is withdrawn if: - after inspection by hager quality control dept the device is found to have been installed in a manner which is contrary to IEE wiring regulations and accepted practice within the industry at the time of installation.